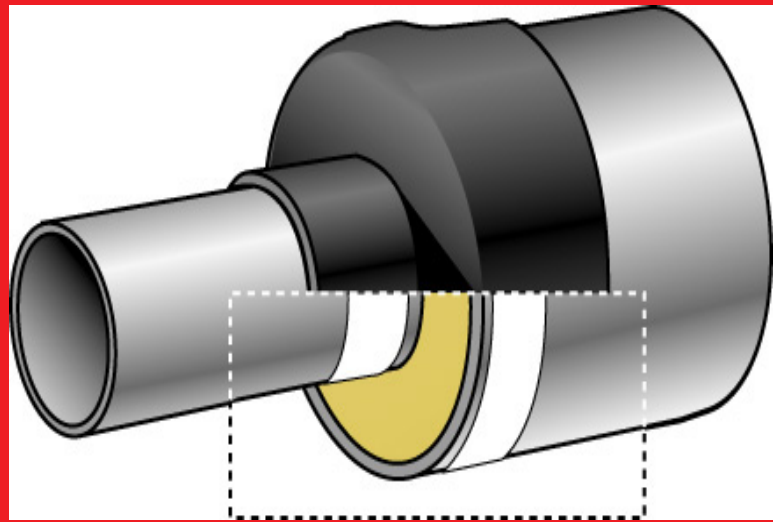




# IPEC - S End Cap Seal

Insulated pipe end cap for sealing the pipe ends of pre-insulated pipes.



Market	Application	Temperature Range	Performance
Pre-Insulated Pipes	End Seal	Design temperature up to 100°C	Water tight seal for more than 30 years

## System Description

### IPEC-S pre-insulated pipe End Cap seal.

**Adhesive:**  
High temperature high viscosity sealant strips.

**Backing:**  
Heat-shrinkable, cross-linked, polyolefin.

IPEC-S is a heat shrinkable, tubular End Cap primarily used for preventing the ingress of water between casing and insulated service pipe. IPEC-S is used for pre-insulated pipes carrying fluids at continuous operating temperatures of up to 100°C. It is a perfect end seal for all house connections and man holes, protecting the integrity of the thermal insulation.

IPEC-S is a tubular part with different expansion ratios on each end to accommodate the diameters on both casing and service pipe. IPEC-S Single is designed for pre-insulated pipes having one service

pipe. The elastomeric adhesive is specially designed for high temperature performance. The uncoated edges prevent the sleeve from slipping off the casing pipe during installation.

The installation is carried out directly on the prepared and preheated pipe surface, IPEC-S is slid over service and casing pipe and positioned in place. The IPEC-S is then heated with a regular gas torch. The high shrink ratio backing shrinks and forms a tight fit onto the pipe and casing. During recovery, the adhesive softens and flows to form a waterproof seal.

## Product Advantages

- **High shrink ratio backing offering optimum conformability to transitions and variations**  
Easily adapts to dimensional variations and pipe ovality.
- **One product covering several different pipe sizes**  
Reduces inventory costs. Simplifies logistics.
- **High performance against water ingress**  
Thermal Insulation remains functional.
- **Tubular system (just “slide over & shrink”)**  
Easy and fast installation---minimizes costs!
- **No special equipment required**  
Makes installation fast, easy and low cost.

## Product Selection Guide

- **Max design temperature:**  
100°C
- **Min preheat temperature**  
60°C
- **Recommended pipe preparation**  
Cleaning & Abrading
- **Soil stress restrictions**  
None

DS-DS-IPEC-S-REV1-AUG12 - AARPS-0371

## Product Properties

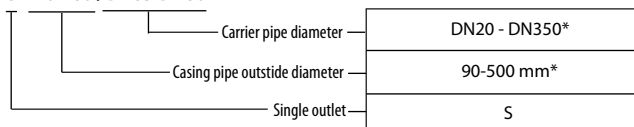
Properties	Test Method	Typical Value
<b>Backing</b>		
Tensile Strength	EN12068	17 MPa
Elongation	EN12068	520%
Low temperature flexibility	ASTM D-2671-C, 1" mandrel	< -45°C
Water absorption	ASTM D570	0.058%
Thermal ageing followed by elongation	3 months @120°C EN12068	490%
<b>Adhesive</b>		
Softening point	ASTM E-28	155°C
Shear strength	EN12068	1.3 N/mm <sup>2</sup>
<b>Sleeve</b>		
Peel strength	EN12068	1.7 N/mm
Hot Water Immersion followed by peel strength	3 months @ 95°C EN 12068	1.7 N/mm

## Ordering Information

### IPEC-S type products are available:

- as ready-to-size tubular sleeves

#### IPEC-S 140-160 / DN65-DN80



\* For full range see AT-IPEC-S.

For product selection, see latest application label AT-IPEC-S.  
For proper product installation, see latest installation instruction.

DS-IPEC-S-REV1-AUG12 - AARPS-0371



**CORROSION PROTECTION GROUP**  
[www.berrycpg.com](http://www.berrycpg.com)

#### Headquarters

**Franklin, MA, USA**  
Tel: +1 508 918 1714  
US Toll Free: +1 800 248 0149  
Fax: +1 508 918 1910  
CPG@berrypastics.com

#### The leading global partner in protecting the integrity of critical infrastructure.

Berry Plastics warrants that the product(s) represented within conform(s) to its/their chemical and physical description and is appropriate for the use as stated on the respective technical data sheet when used in compliance with Berry Plastics written instructions. Since many installation factors are beyond the control of Berry Plastics, the user is obligated to determine the suitability of the products for the intended use and assume all risks and liabilities in connection herewith. Berry Plastics liability is stated in the standard terms and conditions of sale. Berry Plastics makes no other warranty either expressed or implied. All information contained in the respective technical data sheet(s) should be used as a guide and is subject to change without notice. This document supersedes all previous revisions. Please see revision date on the right.

The information and values listed for Berry Plastics products are averages obtained from the relevant industry test procedures, carried out in our laboratories under controlled conditions. Values obtained on site will vary depending on the test methods and conditions. Manufacturing tolerances are available on request. Whilst Berry Plastics warrants its products to be free of material and manufacturing defects, Berry Plastics disclaims any liability in connection with the misuse of Berry Plastics products.

**Houston, TX, USA**  
Tel: +1 713 676 0085  
US Toll Free: +1 888 676 7202  
Fax: +1 713 676 0086  
CPGH@berrypastics.com

**Tijuana, Mexico**  
Tel USA +1 858 633 9797  
Fax US: +1 858 633 9740  
Tel Mexico: +52 664 647 4397  
Fax Mexico: +52 664 607 9105  
CPGTJ@berrypastics.com

**Westerlo, Belgium**  
Tel. +32 14 722500  
Fax +32 14 722570  
CPGE@berrypastics.com

**Baroda, India**  
Tel: +91 2667 264721  
Fax: +91 2667 264724  
CPGIN@berrypastics.com

Local Distributor / Representative:

For contact details of local Distributors / Representatives  
Please visit: [www.berrycpg.com](http://www.berrycpg.com)